

# Channelized T1 ISDN PRI and E1 ISDN PRI Network Modules

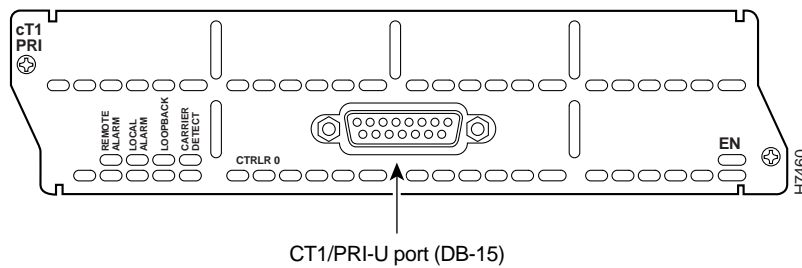
The channelized T1/ ISDN PRI modules are available with and without a built-in CSU and with one or two ports. The channelized T1/ISDN PRI modules connect to an external CSU. The channelized T1/ISDN PRI CSU modules connect directly to the network. Each of the T1 modules provides up to 24 virtual channels per T1 port.

The channelized E1/ISDN PRI modules are available with one or two E1 ports with balanced or unbalanced interfaces and are compatible with the International Telecommunication Union Telecommunication Standardization Sector (ITU-T) G.703/ G.704 specifications. The channelized E1/ISDN PRI modules receive and transmit data bidirectionally at the E1 rate of 2.048 Mbps and provide up to 30 virtual channels per E1 port.

**Table 20-240: Platform Support and Minimum IOS Release**

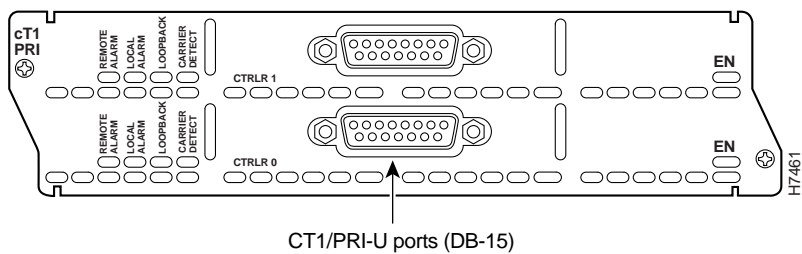
Product Number	Cisco 2600	Cisco 3620/40	Cisco 3660
NM-1CT1	11.3(4)T	11.1(7)AA	Q1CY2000
NM-1CT1-CSU			
NM-2CT1			
NM-2CT1-CSU			
NM-1CE1B			
NM-1CE1U			
NM-2CE1B			
NM-2CE1U			

**Figure 20-141: 1-Port Channelized T1/ISDN PRI Network Module, NM-1CT1**



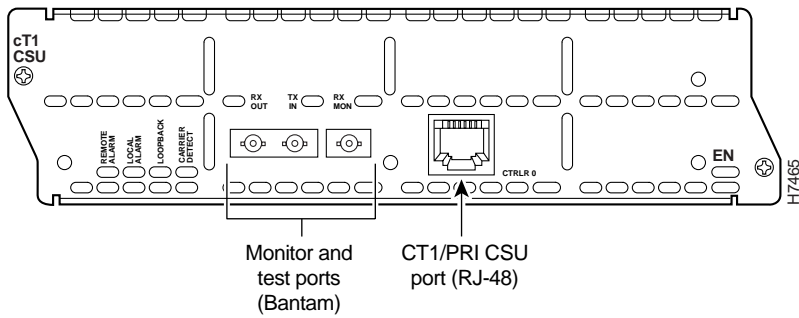
- Cables:
  - DB-15 to DB-15 straight-thru cable - CAB-7KCT1DB15=
  - CSU provided by the customer

**Figure 20-142: 2-Port Channelized T1/ISDN PRI Network Module, NM-2CT1**



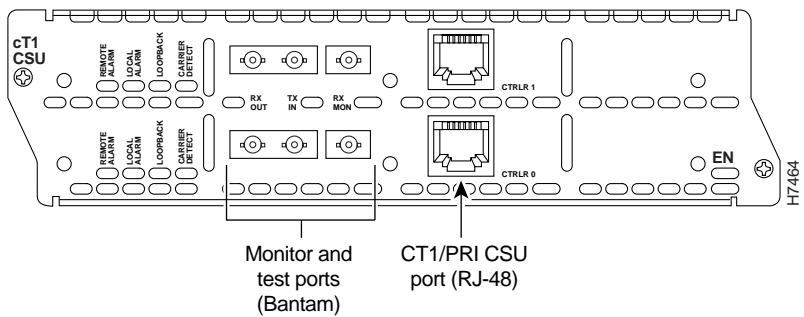
- Cables:
  - DB-15 to DB-15 straight-thru cable - CAB-7KCT1DB15=CSU provided by the customer

**Figure 20-143: 1-Port Channelized T1/ISDN PRI CSU Network Module, NM-1CT1-CSU**



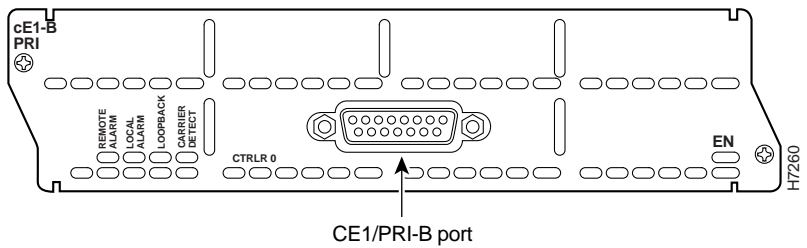
- Cables: RJ-48 to RJ-48 or RJ-45 straight-thru cable provided by the customer

**Figure 20-144: 2-Port Channelized T1/ISDN PRI CSU Network Module, NM-2CT1-CSU**



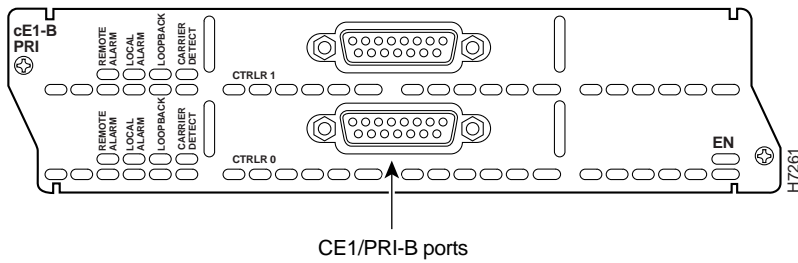
- Cables: RJ-48 to RJ-48 or RJ-45 straight-thru cable provided by the customer

**Figure 20-145: 1-Port Channelized E1/ISDN PRI Balanced Network Module, NM-1CE1B**



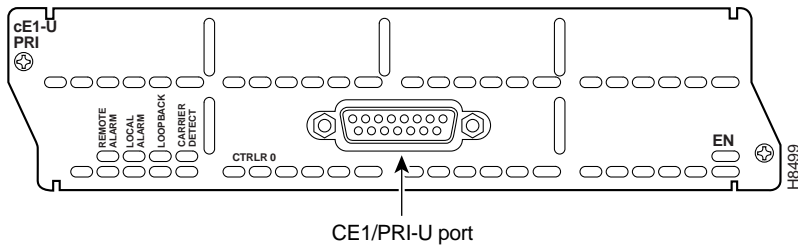
- Cables: The following cables are supported
  - CAB-E1-PRI>DB-15 to RJ-48 straight-thru cable
  - CAB-E1-DB15>DB-15 to DB-15 straight-thru cable
  - CAB-E1-BNC>DB-15 to Two BNC connectors

**Figure 20-146: 2-Port Channelized E1/ISDN PRI Balanced Network Module, NM-2CE1B**



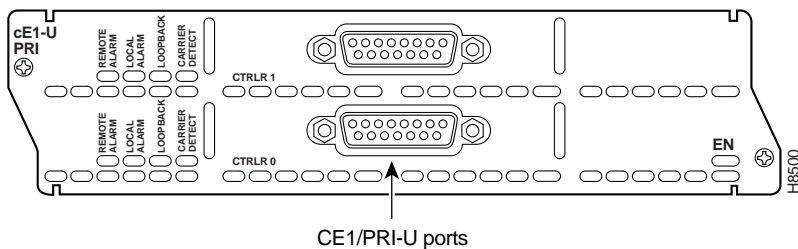
- Cables: The following cables are supported
  - CAB-E1-PRI>DB-15 to RJ-48 straight-thru cable
  - CAB-E1-DB15>DB-15 to DB-15 straight-thru cable
  - CAB-E1-BNC>DB-15 to Two BNC connectors

**Figure 20-147: 1-Port Channelized E1/ISDN PRI Unbalanced Network Module, NM-1CEU**



- Cables: The following cables are supported
  - CAB-E1-PRI>DB-15 to RJ-48 straight-thru cable
  - CAB-E1-DB15>DB-15 to DB-15 straight-thru cable
  - CAB-E1-BNC>DB-15 to Two BNC connectors

**Figure 20-148: 2-Port Channelized E1/ISDN PRI Unbalanced Network Module, NM-2CEU**



- Cables: The following cables are supported
  - CAB-E1-PRI>DB-15 to RJ-48 straight-thru cable
  - CAB-E1-DB15>DB-15 to DB-15 straight-thru cable
  - CAB-E1-BNC>DB-15 to Two BNC connectors

